

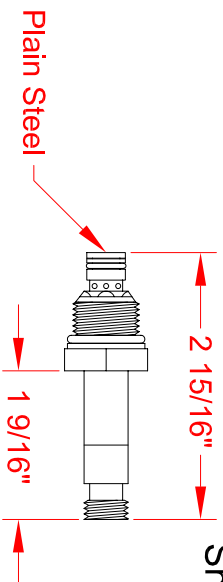
# Curtis Hydraulic Components

Detroit Products

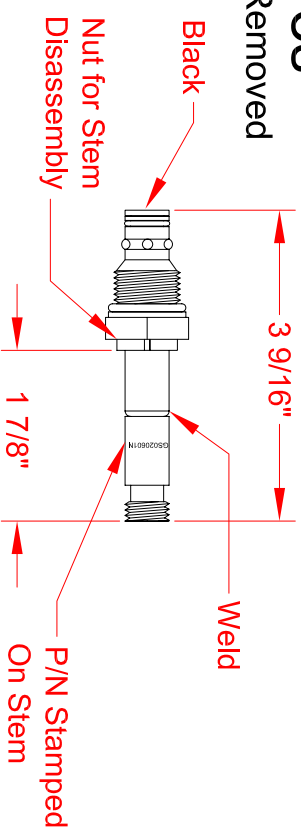
Sterling Products

## Poppet Valves

Shown With Screens Removed

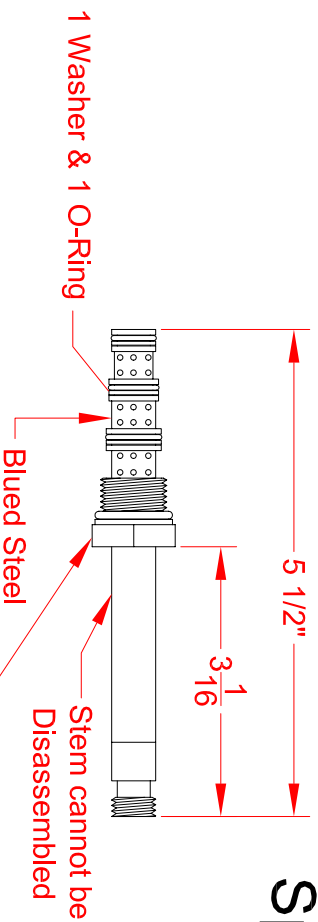


Detroit P/N: DSV-080-2NCP-N = Float/Retract = 1TBM2

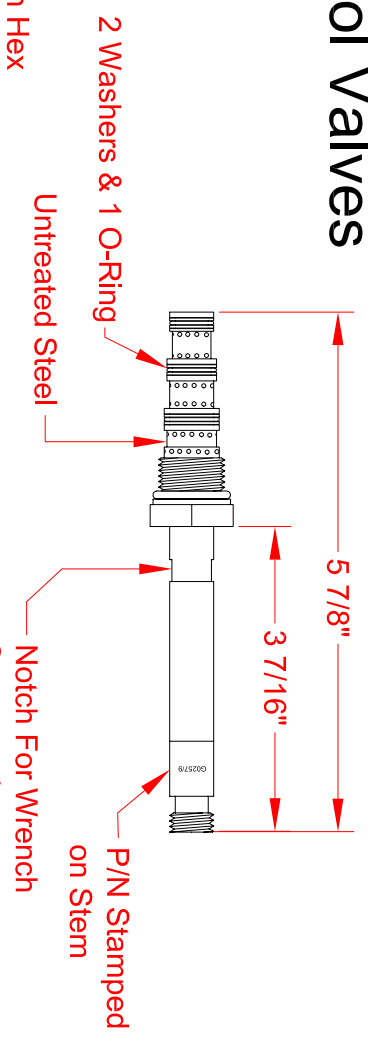


Sterling P/N: GS020601N = Float/Retract = 1TBM2

## Spool Valves



Detroit P/N:  
DSV080-34T-N = Angle Valve = 1TBM1  
DSV080-2N-CP-N-L = Blade Lift/Jack Extend = 1TBM7



Sterling P/N:  
G0257 = Angle Valve = 1TBM1  
G0259 = Blade Lift/Jack Extend Valve = 1TBM7

## 12 VDC Coils

