

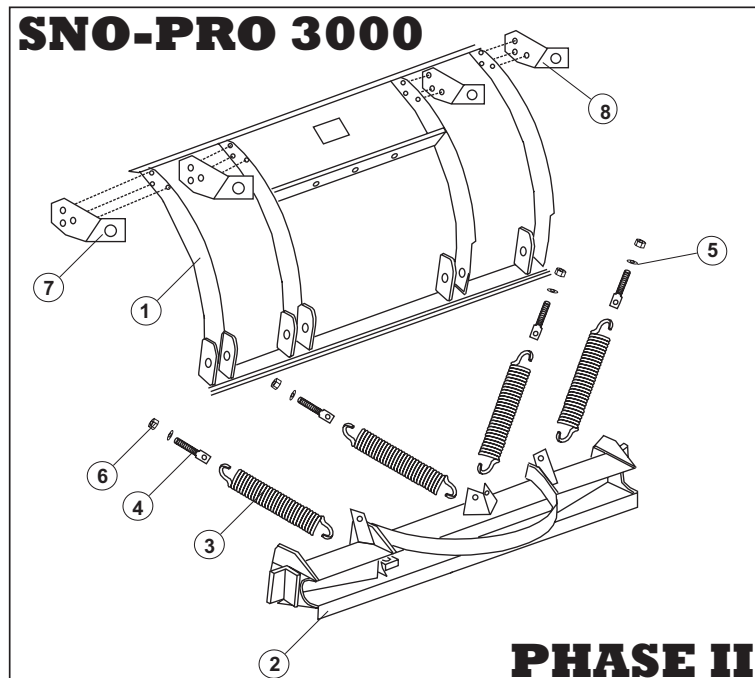
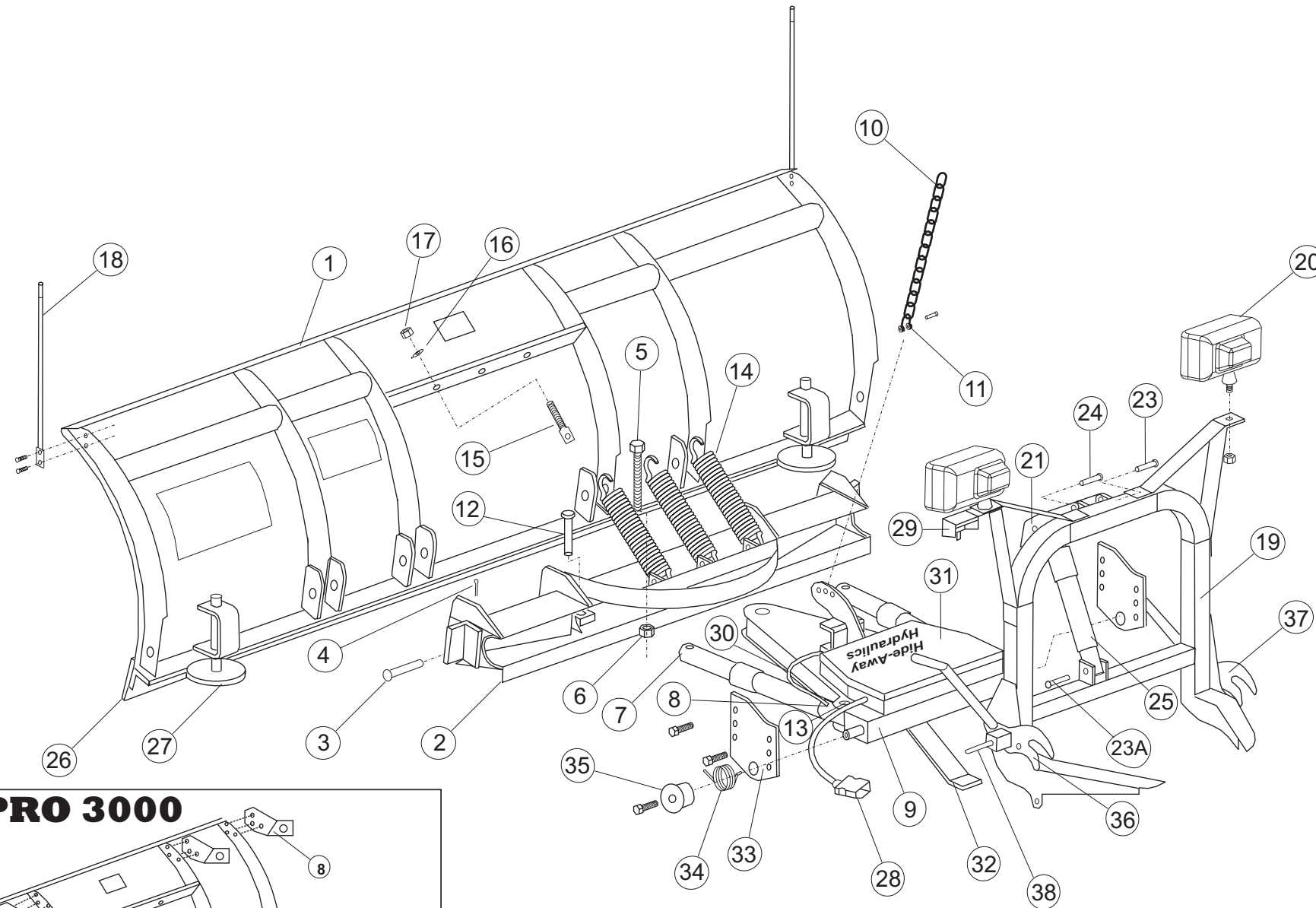
CURTIS SNOWPLOWS

Sno-Pro 3000 Parts Price List

SCHEM REF. #	ITEM PART #	Recommend Dealer Stock	DESCRIPTION	QTY/ UNIT
1	1TBP21A1-LD		7 1/2' LIGHT DUTY MOLDBOARD KIT	1
1	1TBP21A1		7 1/2' MOLDBOARD KIT	1
1	1TBP21B1		8' MOLDBOARD KIT	1
1	1TBP21J1		8 1/2' MOLDBOARD KIT	1
1	1TBP21C1		9' MOLDBOARD KIT	1
2	1TBP22B1		TRIP FRAME	1
3*12	1TBP23	*	1" X 4" CLEVIS PIN	4
4	1TBP24	*	3/16" x 1 1/2" COTTER PIN	4
5	1TBP25	*	1"-8 X 6" GR. 8 BOLT	1
6	1TBP26	*	1"-8 NYLON LOCKNUT	1
7	1TBP27	*	10" ANGLE PISTON	2
N/S	1TBP27SK	*	SEAL KIT (Fits All Hydraulic Pistons)	4
8	1TBP98G	*	90 DEG. ELBOW	2
9	1TBP29C1		A-FRAME ASSEMBLY - FRAME ONLY	1
9	1TBP29C		A-FRAME ASSEMBLY - COMPLETE	1
10	1TBP30	*	5/16" X 30" CHAIN	1
11	1TBP31	*	5/16" X 30" ANCHOR SHACKLE	1
13	1TBP73		1" X 3" CLEVIS PIN	2
14	1TBP33	*	TRIP SPRING	3
15	1TBP34	*	SPRING EYEBOLT W/NUT	3
16	1TBP35	*	5/8" FLAT WASHER	3
17	1TBP36	*	5/8"-11 NYLON LOCKNUT	3
18	1TBP37	*	BLADE MARKERS(SET OF 2)	1
19	1TBP38A		LIFT FRAME ASSEMBLY - COMPLETE	1
20	1TBP39B		LIGHT KIT(SET OF 2)	1
21	1TBP40		LIFT ARM	1
22	1TBP41	*	5/32" X 1 1/4 COTTER PIN	3
22	1TBP42	*	3/4" X 4 1/2" CLEVIS PIN	1
23	1TBP43	*	3/4" X 2 3/4" CLEVIS PIN	1
24	1TBP108	*	1" X 4 1/2" CLEVIS PIN	1
25	1TBP44A	*	7 1/2" LIFT PISTON	1
N/S	1TBP109		1" X 1 3/8" PISTON SPACER	2
N/S	1TBP98H	*	45 DEG. ELBOW	1
26	1TBP49LD		7 1/2' LIGHT DUTY CUTTING EDGE	1
26	1TBP49A		7 1/2' CUTTING EDGE	1
26	1TBP49B		8' CUTTING EDGE	1
26	1TBP49J		8 1/2' CUTTING EDGE	1
26	1TBP49C		9' CUTTING EDGE	1
27	1TBP50	*	SKID SHOES	2
Page 11	1TBP51D		HARNESSES(PLOW SIDE)	1
29	1TBP101		PLUG STORAGE HOLDER	1
Page 11	1TBP51E		HARNESSES(VEHICLE SIDE)	1
N/S	1TBP105	*	WEATHER CAP(VEHICLE SIDE)	1
30	1TBP98D	*	LEFT ANGLE HOSE - 28"	1
N/S	1TBP98C	*	RIGHT ANGLE HOSE - 19"	1
N/S	1TBP98B	*	LIFT HOSE - 37 1/2"	1
N/S	1TBP98A		JACK HOSE - 26 1/2"	1
31	1TBP58A		A-FRAME COVER	1
Page 12/13	1TBP59A	*	ELECTRIC/HYDRAULIC POWER UNIT W/ MANIFOLD	1
N/S	1TBP95		3" JACK CYLINDER	1
N/S	1TBP98F		90 DEG BRASS BAR ELBOW	1
N/S	1TBP96		6" JACK SPRING	1
N/S	1TBP111		JACK SPRING GUIDE ROD	1
32	1TBP106		JACK LEG	1
N/S	1TBP98E		BLOCK ADAPTER FOR JACK HOSE	1
33	1TBP112		LIFT FRAME SIDE PLATES(SET OF 2)	1
34	1TBP33A		SIDE PLATE TORSION SPRING(SET OF 2)	1
35	1TBP113		TORSION SPRING BUSHING	2
36	1TBP114		DRIVER'S SIDE LATCH HOOK	1
37	1TBP115		PASSENGER'S SIDE LATCH HOOK	1
N/S	1TBP120		7/8"-9 X 4 1/2" Gr. 5 BOLT	2
N/S	1TBP121		7/8"-9 Gr. 5 REVERSIBLE LOCK NUT	2
38	1TBP107	*	SNAP LOCK HANDLE ASSEMBLY	2
N/S	1TBP33B	*	SNAP LOCK SPRING	4
Page 11	1TBP100		A-FRAME JACK SWITCH	1
Page 11	1TBP102		SWITCH PANEL ADAPTER	1

ADDITIONAL ITEMS NOT SHOWN ON SCHEMATIC ASSEMBLY

N/S	1SNP-HWB		SNO-PRO 3000 PLOW HARDWARE BAG	1
Page 11	1TBP60A		SWITCH PANEL CONTROL KIT	1
Page 11	1TBP60A-1	*	LIFT SWITCH ONLY	1
Page 11	1TBP60A-2	*	ANGLE SWITCH ONLY	1
Page 11	1TBP48A	*	PLOW LIGHT SWITCH ONLY	1
Page 11	1TBP61A	*	SOLENOID	1
N/S	1TBP61C		SNO-PRO 3000 EMERGENCY PARTS BAG	1
Page 11	1TBP62		#4 CABLE 90"	1
Page 13	1TBP63	*	RESERVOIR CAP - SNO-PRO 2000	1
Page 13	1TBP63A	*	RESERVOIR CAP - SNO-PRO 3000(EXTERNAL)	1
Page 13	1TBP63B	*	RESERVOIR CAP - SNO-PRO 3000(INTERNAL)	1
N/S	1TBP117		A-FRAME BOTTOM JACK COVER	1
N/S	1TBP64		INSTALLATION & OWNER'S MANUAL	1



SNO-PRO 3000 PHASE II

SCHEM REF. #	ITEM PART #	Recommend Dealer Stock	DESCRIPTION	QTY/ UNIT
1	1TBP21A1-LD		7 1/2' LIGHT DUTY MOLDBOARD KIT	1
1	1TBP21A1		7 1/2' MOLDBOARD KIT	1
1	1TBP21B1		8' MOLDBOARD KIT	1
1	1TBP21J1		8 1/2' MOLDBOARD KIT	1
1	1TBP21C1		9' MOLDBOARD KIT	1
2	1TBP22B1		TRIP FRAME	1
3	1TBP33	*	TRIP SPRING	4
4	1TBP34	*	SPRING EYEBOLT W/NUT	4
5	1TBP35	*	5/8" FLAT WASHER	4
6	1TBP36	*	5/8"-11 NYLON LOCKNUT	4
7	1TBP133L	*	MOLDBOARD SPRING MOUNT (DRIVER'S SIDE)	2
8	1TBP133R	*	MOLDBOARD SPRING MOUNT (PASSENGER'S SIDE)	2